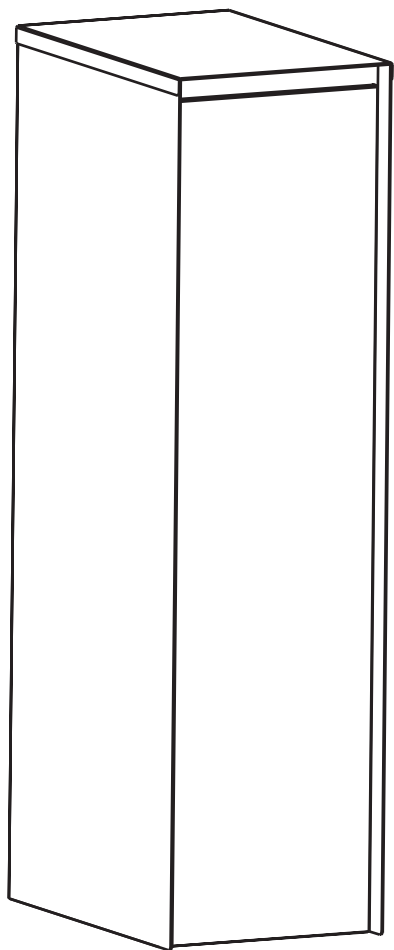
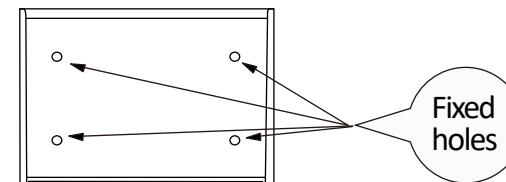


Assembly Instruction



■ Installation

1 There are 4 fixed holes on the bottom of parcel box. Before you start to install, please measure the actual holes distance on the box with measuring tool.

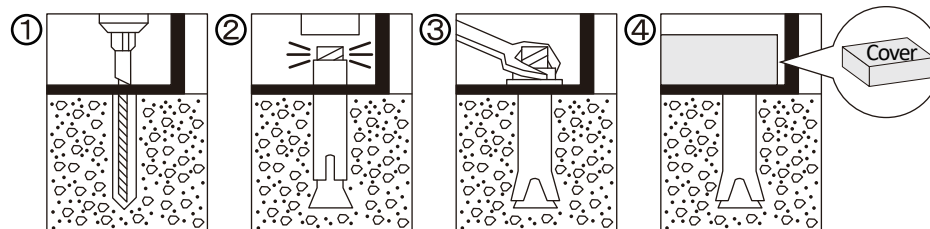


2 Please refer to the holes distance to drill the holes (depth 85mm, diameter 12mm) on the ground accordingly.

3 Aligning the holes on the ground with box, to make sure they are lining up, and then fix the anchors to the ground accordingly.

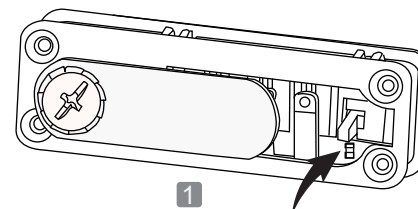
4 Use spanner to fasten the anchors.

5 Put the cover to hide the anchors.



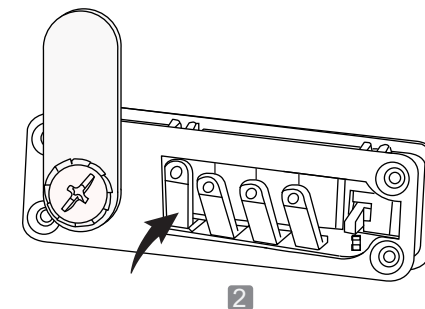
■ How to change the code

1 The initial password code is "0000";



2 Set password:

- 1) Please turn the handle to the "open" position;
- 2) pull the dialing block to the "B" position as shown in figure 1 below;
- 3) Turn the password wheel to set a new password;
- 4) Then pull the block back to the "A" position, and the newly set password will take effect.



3 Re-found of the password:

- 1) If forget the password, please use the emergency open key to open the Digital Code Lock.
- 2) After opening the Lock, press the button, as shown in figure 2 below: Turn the digital wheel to find the matching code, if the number matches, the code wheel will unable to turn.
- 3) Please perform the same procedure until all four codes matched, then the previous Set code is found.

4 After you find and the correct password you set before, you can reset the new password.

Ⓐ Anchor x4pcs

Ⓑ Cover x1pc

Ⓒ Keys x2pcs



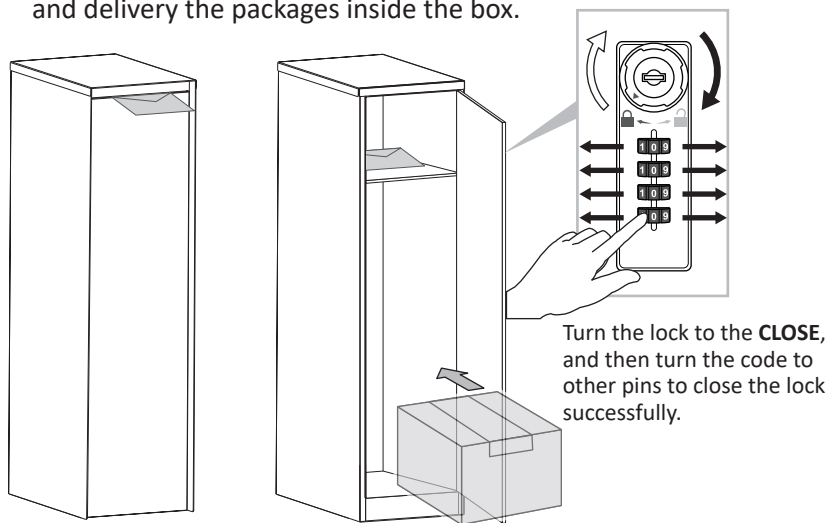
Ⓓ Screwdriver x1pc



Instruction for use

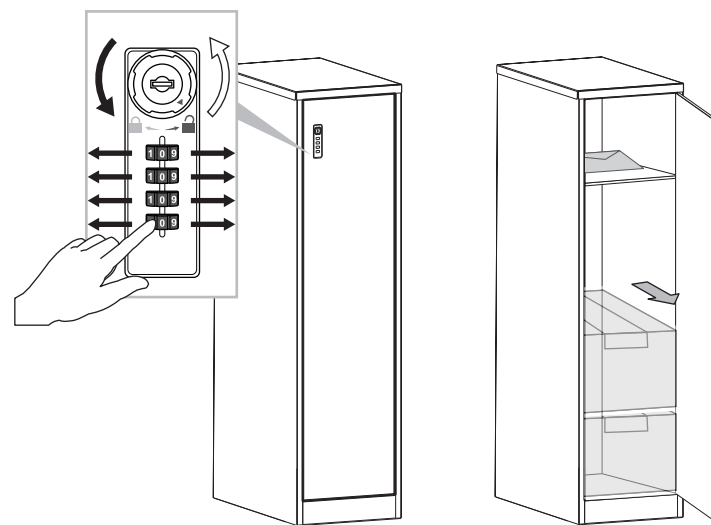
● Mode A

1. Input the letter into the mail slot.
2. Please keep the code lock under the **OPEN**, and delivery the packages inside the box.



Delivery of Packages

3. Turn on the **LOCK** by the correct pins and in **OPEN**.
4. Take out the letters and packages accordingly.

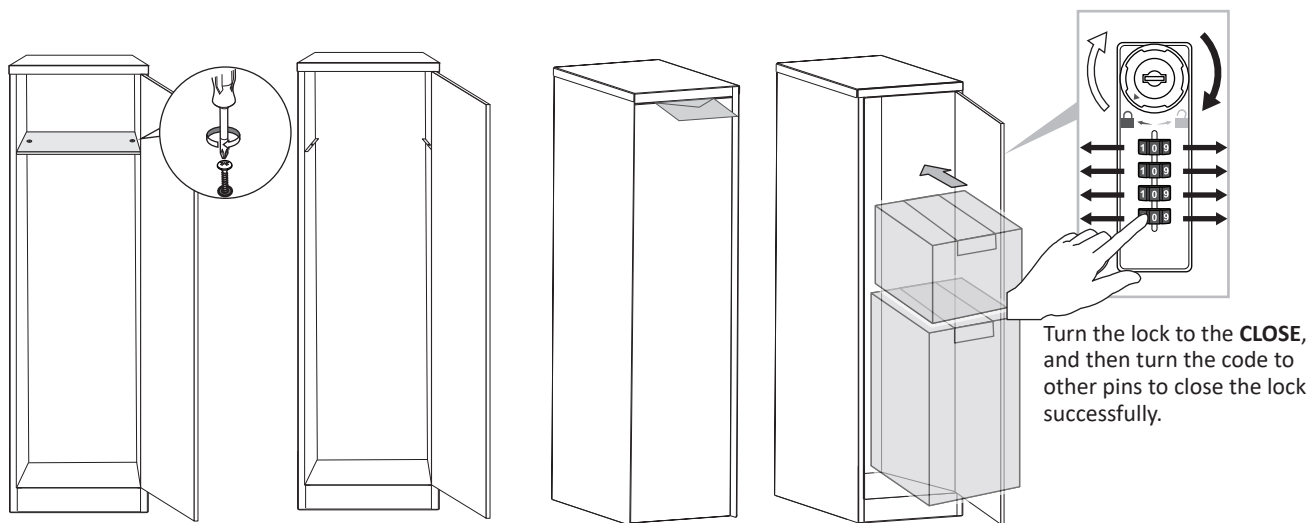


Take out of Packages

● Mode B

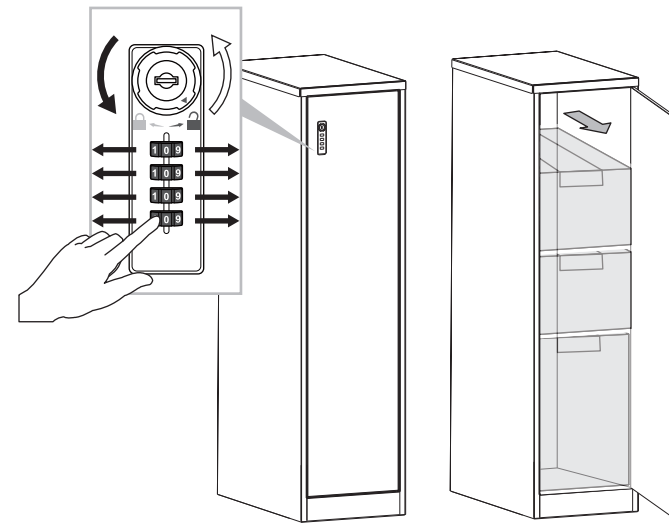
If you want to expand the space, it is possible to use a screwdriver to remove the screws and take off the partition.

1. Input the letter into the mail slot.
2. Please keep the code lock under the **OPEN**, and delivery the packages inside the box.



Delivery of Packages

3. Turn on the **LOCK** by the correct pins and in **OPEN**.
4. Take out the letters and packages accordingly.



Take out of Packages